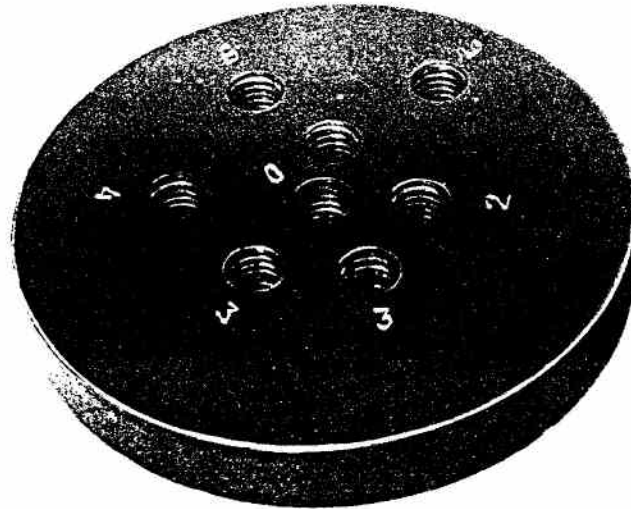


V1577A, B, & V1582A, V1583A Assemblies

U305W



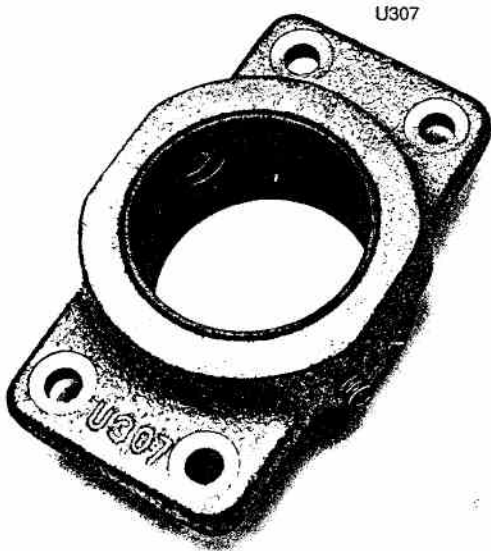
U315



U343A



U307W



U307

U350



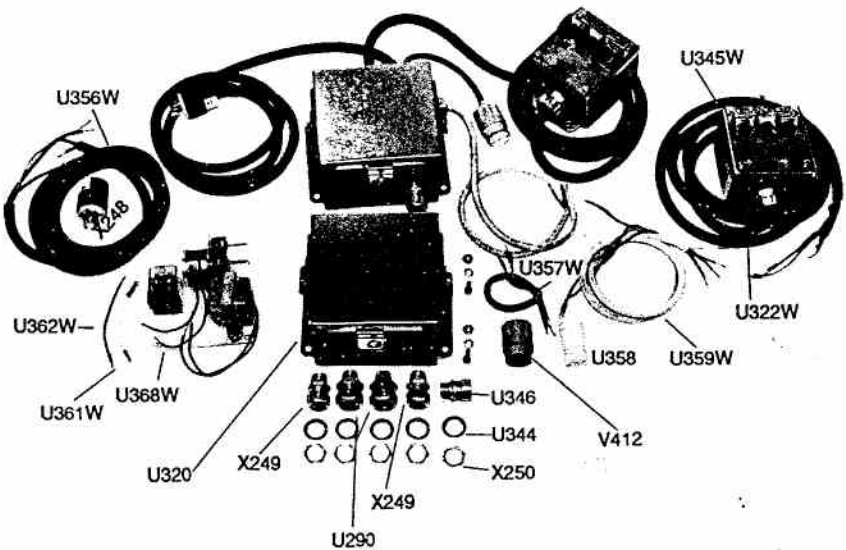
U381



U350



U320W



V1577A, B, & V1582A, V1583A Assemblies

U305W

U315 Disc Sleeve
U343A Roll Pin

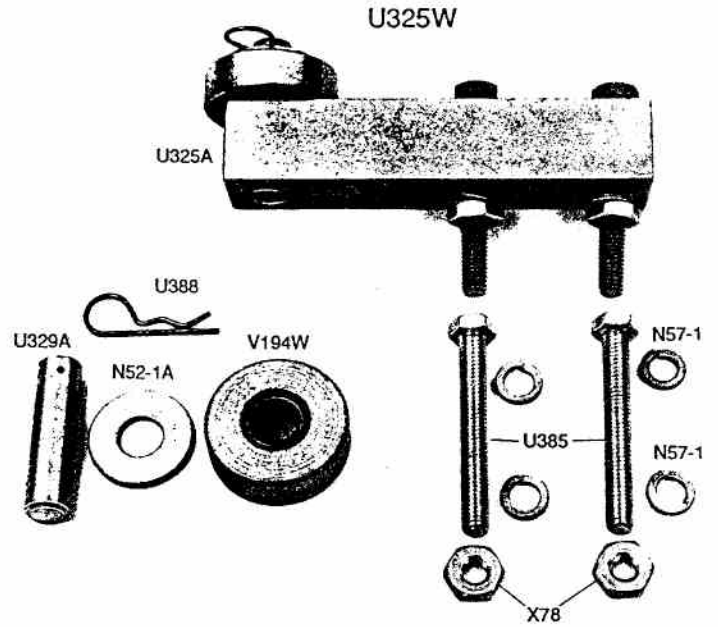
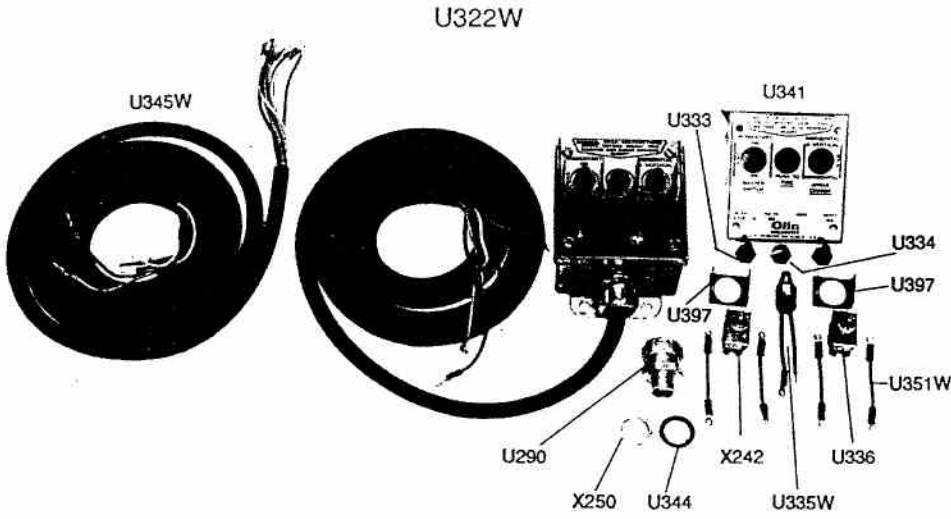
U307W

U307 Housing
U350 Screw
U381 Bearing

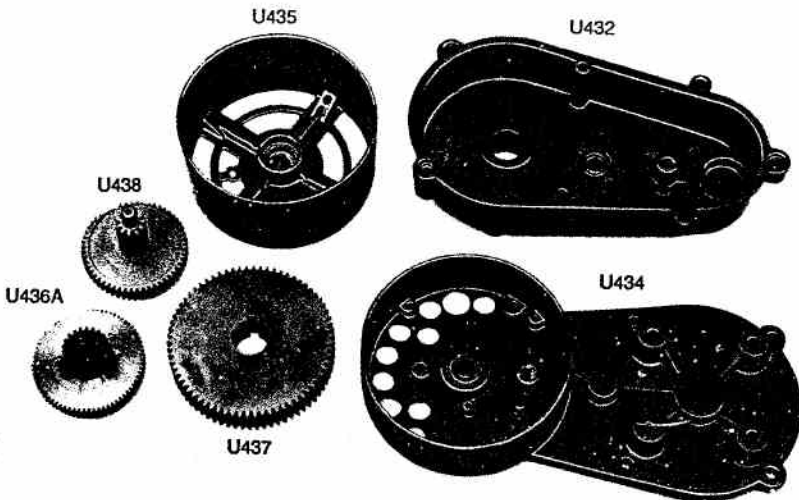
U320W

U290 Connector
U320 Master Electric Box
U322W Remote Control Switch Assembly
U344 Sealing Ring
U345W Control Cable Assembly
U346 Connector
U356W Power Cord Assembly
U357W Release Input Cord Assembly
U358 Release Connector
U359W Supply Cable Assembly
U361W Relay Wire Assembly
U362W Relay Wire Assembly
U368W Master Box Panel Assembly
X248 Power Cord Connector Cap
X249 Connector
X250 Lock Ring
V412 Release Boot

V1577A, B, & V1582A, V1583A Assemblies



Spare Parts For
U332



V1577A, B, & V1582A, V1583A Assemblies

U322W

U290	Connector
U333	Switch Boot
U334	Switch Box
U335W	Switch Assembly
U336	Circle F Switch
U341	Switch Plate
U344	Sealing Ring
U345W	Control Cable Assembly
U351W	Switch Wire Assembly
U397	Finger Guard
X242	Master Switch
X250	Lock Ring

U325W

U325A	Leveler Support
U329A	Leveler Pin
U385	Screw
U388	Hitch Pin
V194W	Shelf Operator Roll Assembly
X78	Nuts
N52-1A	Washer
N57-1	Washer

U332

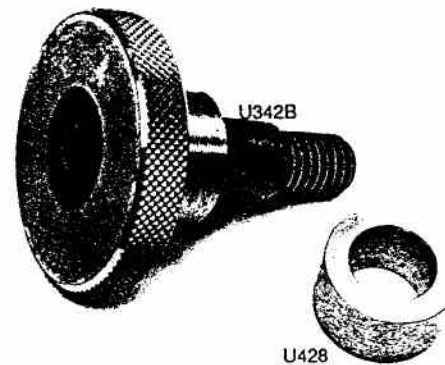
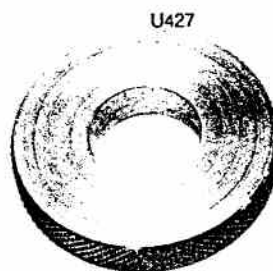
U432	Gear Case
U434	Gear Box Cover
U435	Gear Box Endbell
U436A	Fiber Gear
U437	Gear
U438	Output Gear

V1577A, B, & V1582A, V1583A Assemblies

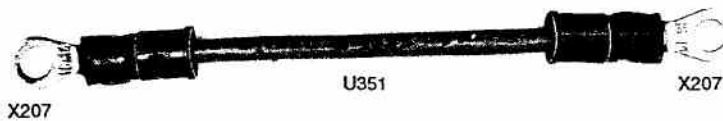
U335W



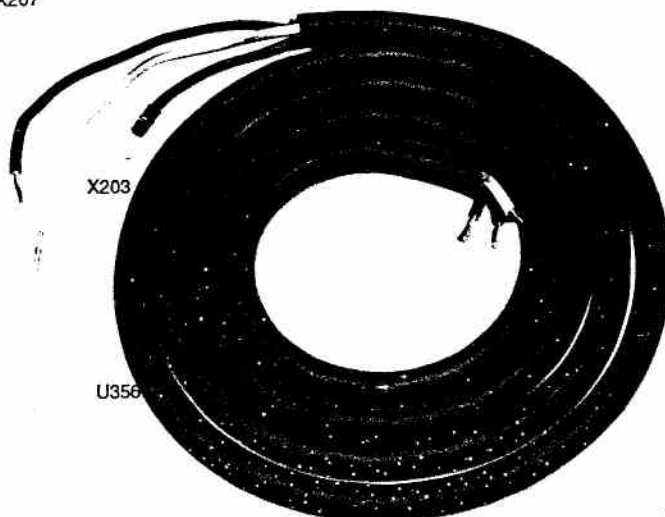
U342BW



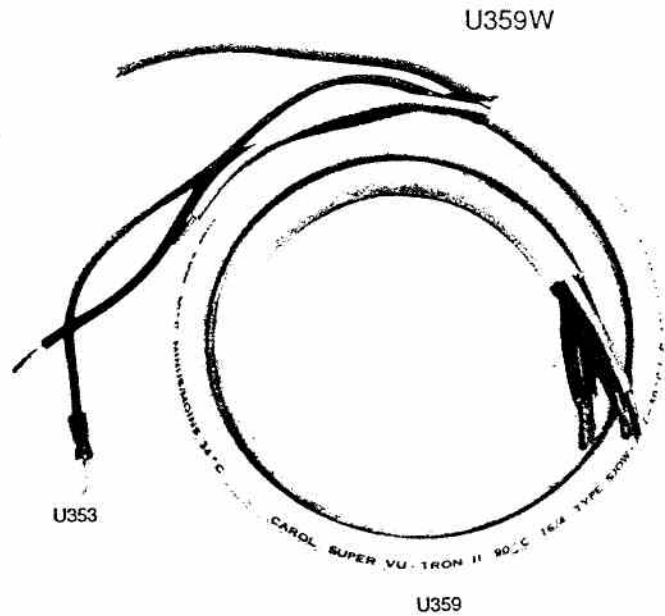
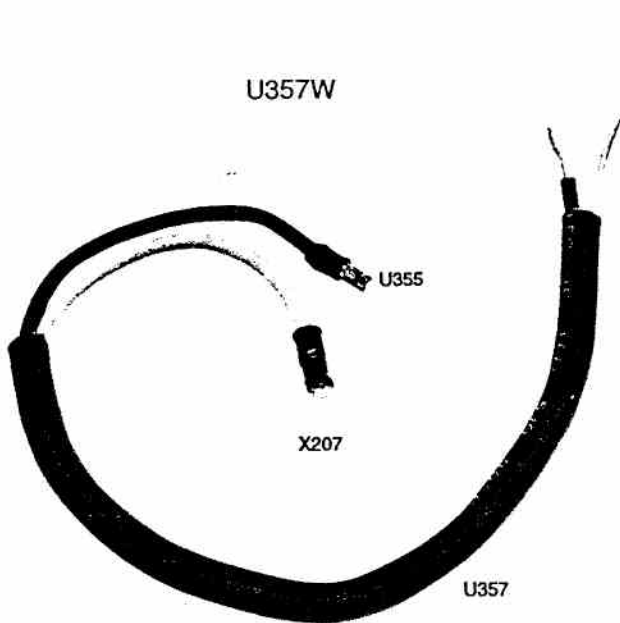
U351W



U356W



V1577A, B, & V1582A, V1583A Assemblies



U335W

U335 Switch
X205 Terminal

U342BW

U342B Spread Adj Screw
U427 Spring
U428 Target Buffer

U351W

U351 Switch Wire
X207 Terminal

U356W

U356 Power Cord
X203 Terminal

U357W

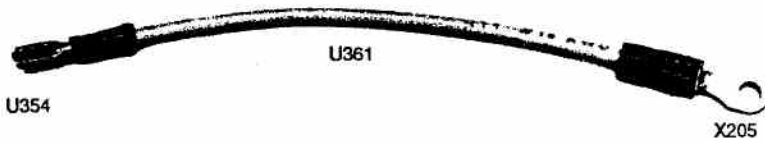
U355 Terminal
X207 Terminal

U359W

U359 Wire
U353 Terminal

V1577A, B, & V1582A, V1583A Assemblies

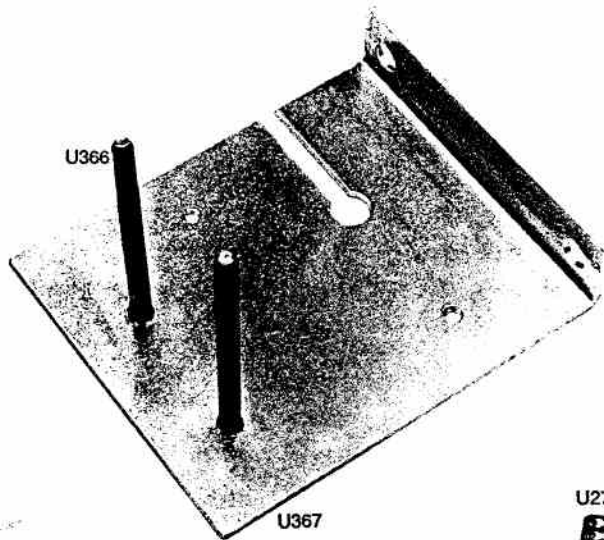
U361W



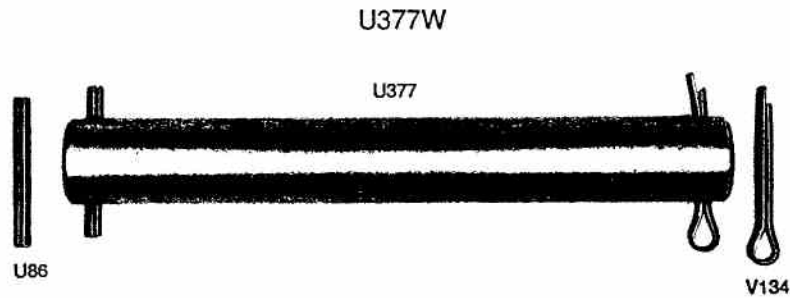
U362W



U367W



V1577A, B, & V1582A, V1583A Assemblies



U361W

U354 Terminal
U361 Relay Wire
X205 Terminal

U362W

U354 Terminal
U362 Relay Wire

U367W

U366 Interruptor Switch Pin
U367 Interruptor Mounting Plate

U368W

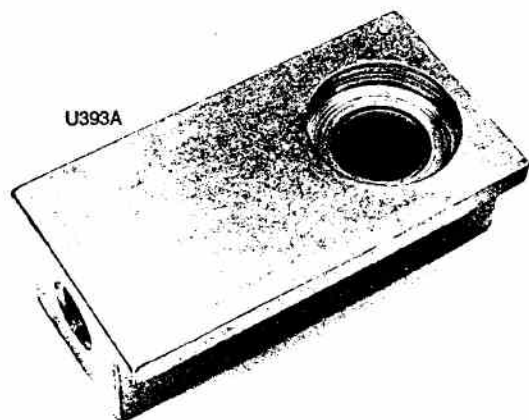
U278B Timing Motor & Cam
U279 Snap Switch
U281 Spring Nut
U330A Release Transformer
U331 Release Relay
U367W Interruptor Plate Assembly
U368A Panel Master Box
U384 Screw
X78 Nut
N57-1 Washer

U377W

U86 Roll Pin
U377 Elevation Pivot
V134 Cotter Pin

V1577A, B, & V1582A, V1583A Assemblies

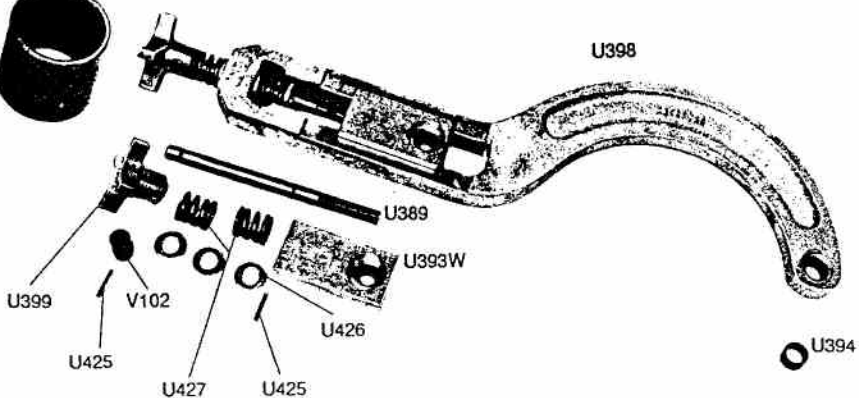
U393W



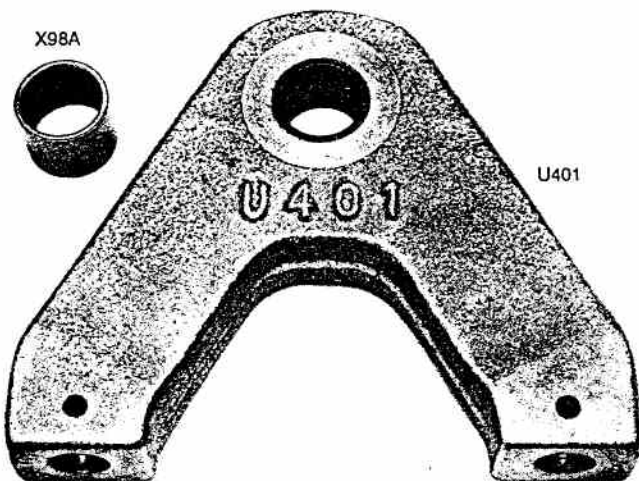
R018A



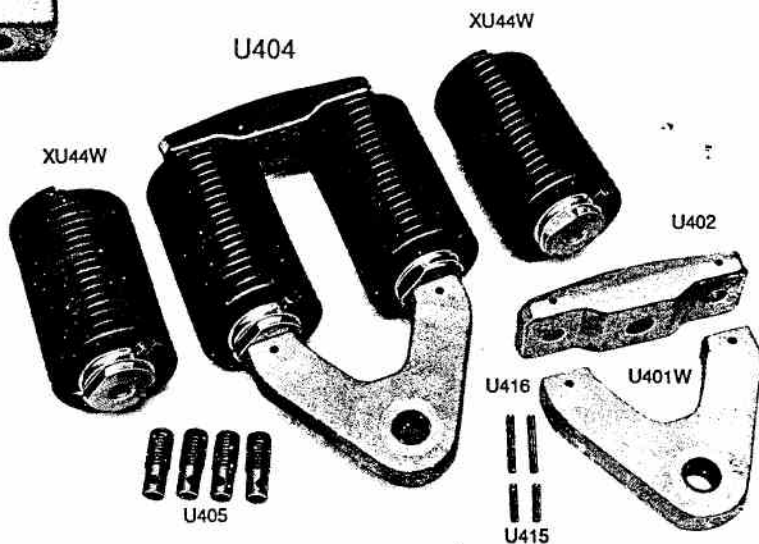
U398W



U401W

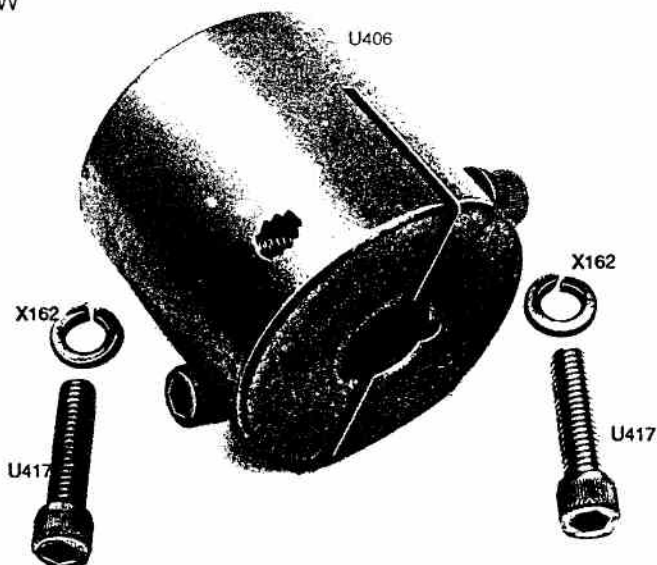


U404



V1577A, B, & V1582A, V1583A Assemblies

U406W



U393W

U393A Windage Block
R018A Bushing

U398W

U389 Horizontal Windage Screw
U393W Block Assembly
U394 Bushing
U398 Link Horizontal Drive
U399 Knob
U425 Retaining Pin
U426 Spring Retainer Washer
U427 Spring
V102 Bushing

U401W

X98A Hub Bearing
U401 Spring Frame

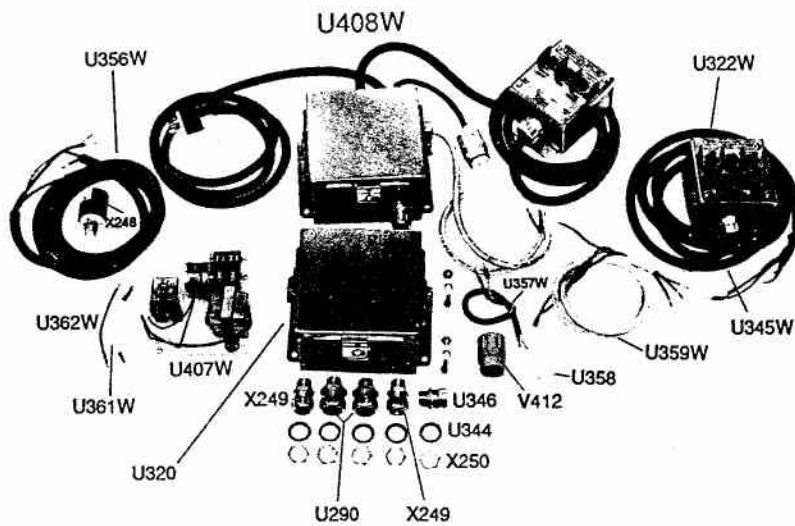
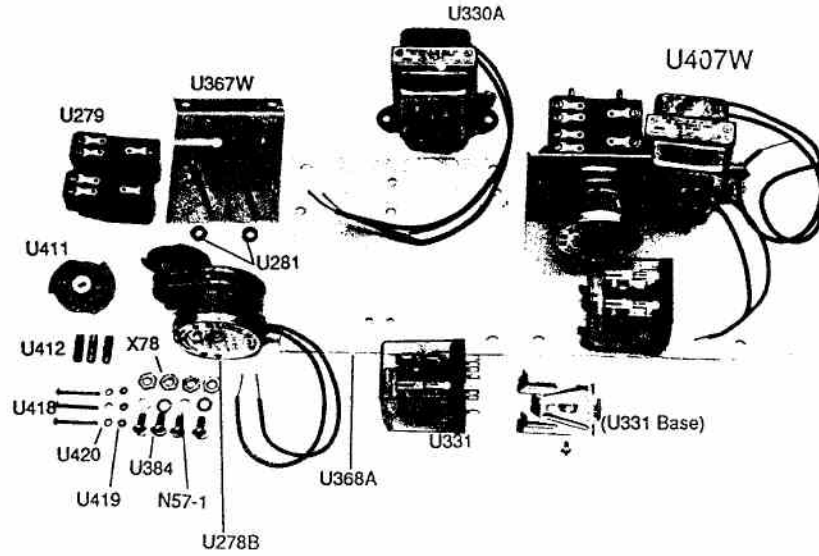
U404

U401W Crank End Frame Assembly
U402 End Adj Screw
U405 Stud
U415 Roll Pin
U416 Roll Pin
XU44W Mainspring Assembly

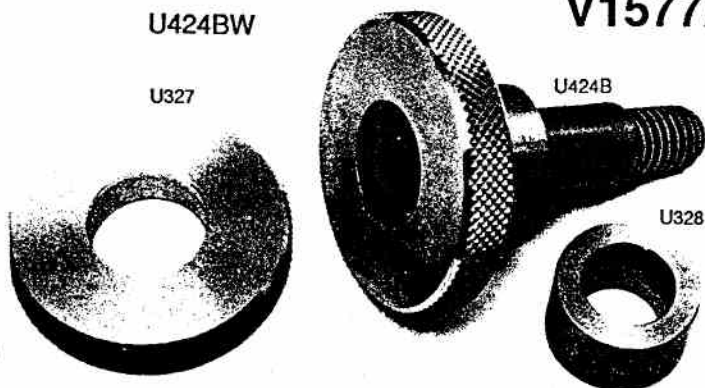
U406W

U406 Angle Change Disc
U417 Screw
X162 Washer

V1577A, B, & V1582A, V1583A Assemblies



V1577A, B, & V1582A, V1583A Assemblies



U407W

U278B	Interruptor Timing Motor & Cam
U279	Interruptor Switch
U281	Spring Nut
U330A	Release Transformer
U331	Release Relay
U367W	Interruptor Plate Assembly
U368A	Master Panel Box
U384	Screw
U411	Elevation Interruptor Cam
U412	Timing Cam Spacer
U418	Screw
U419	Nut
U420	Lockwasher
X78	Nut
N57-1	Washer

U408W

U290	Connector
U320	Master Electric Box
U322W	Remote Control Switch Assembly
U344	Sealing Ring
U345W	Control Cable Assembly
U346	Connector
U356W	Power Cord Assembly
U357W	Release Input Cord Assembly
U358	Release Connector
U359W	Supply Cable Assembly
U361W	Relay Wire Assembly
U362W	Relay Wire Assembly
U407W	Master Panel Assembly
X248	Connector Cap
X249	Connector
X250	Lock Ring
V412	Release Boot

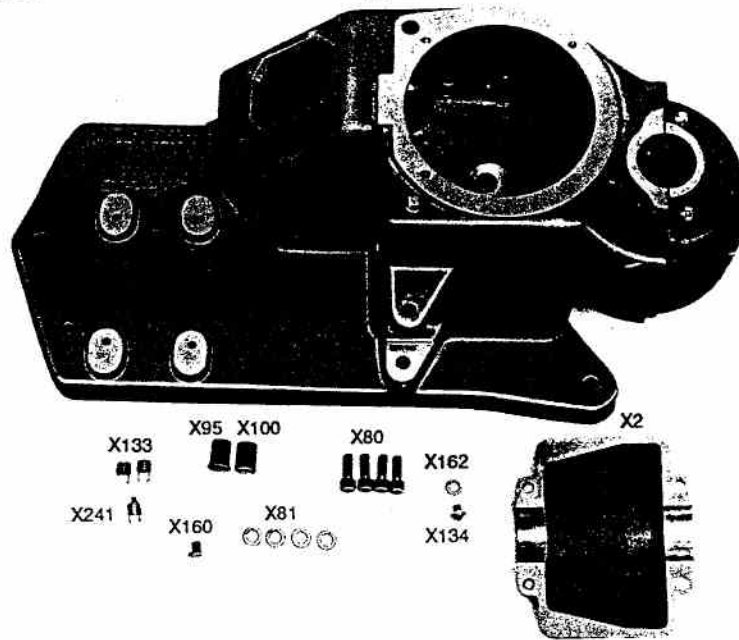
U424BW

U327	Spread Adj Screw
U328	Spread Adj Screw
U424B	Horizontal Spread Adj Screw Assembly

V1524A, B, C Assemblies

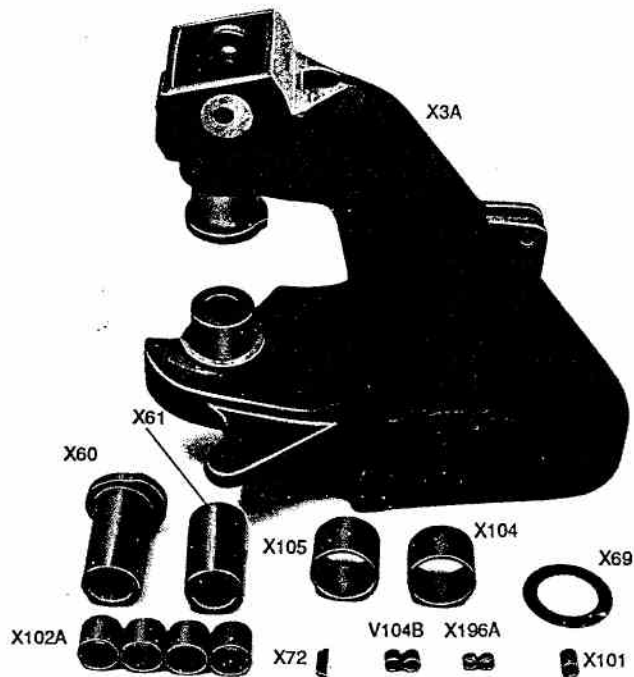
XIBW

XIB

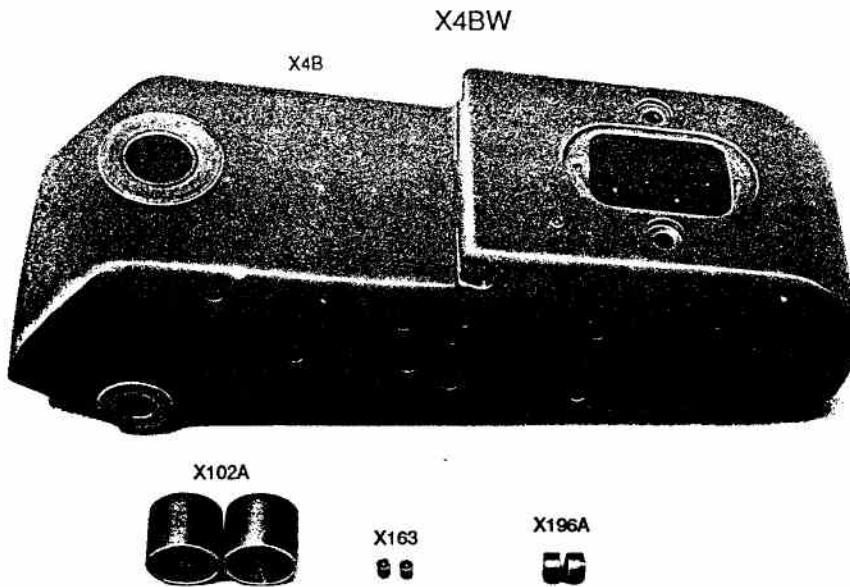


X3AW

X3A



V1524A, B, C Assemblies



X1BW

X1B	Base
X2	Bearing Cap
X80	Screw
X81	Washer
X95	Bushing
X100	Bushing
X133	Pipe Plug
X134	Access Screw
X160	Oil Hole Cover
X162	Washer
X241	Magnetic Oil Plug

X3AW

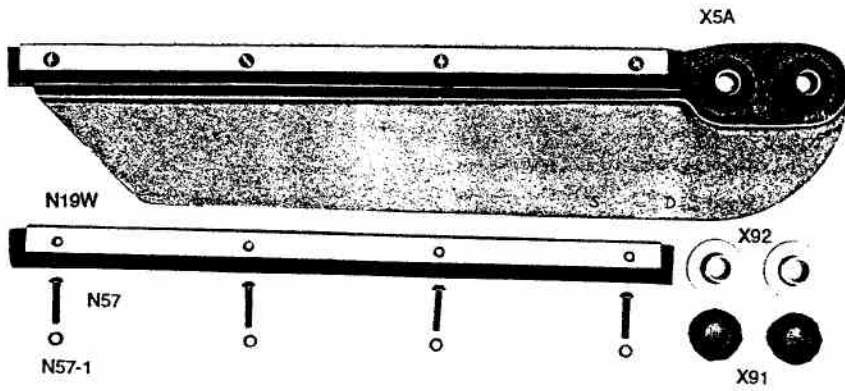
X3A	Lower Frame
X60	Cocking Cam
X61	Frame Assembly
X69	Frame Thrust Washer
X72	Key
X101	Bushing
X102A	Bushing
X104	Bearing
X105	Bushing
X196A	Bushing
V104B	Bushing

X4BW

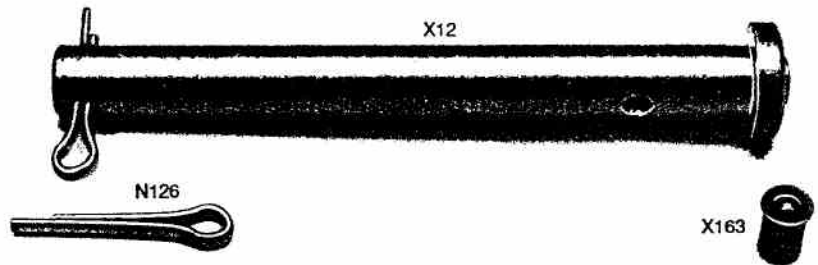
X4B	Upper Frame
X102A	Bushing
X163	Oilers
X196A	Bushing

V1524A, B, C Assemblies

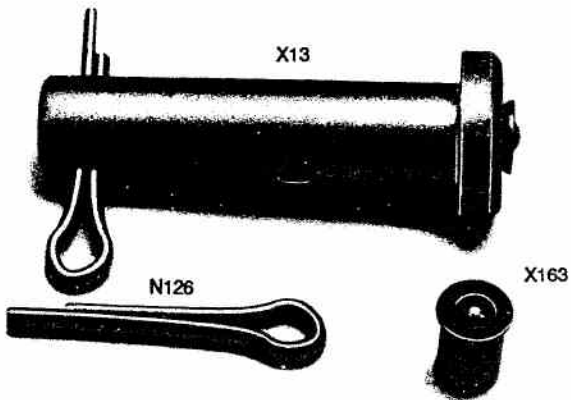
X5AW



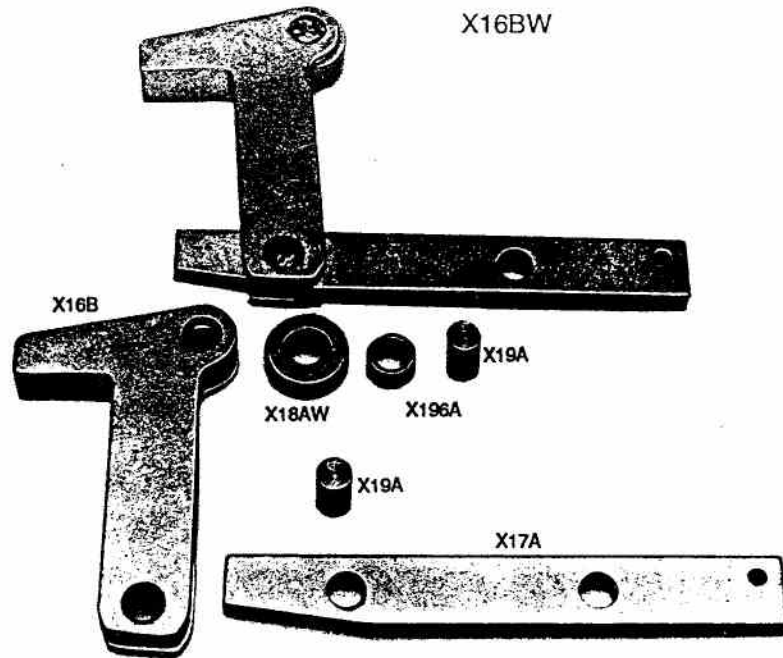
X12W



X13W



V1524A, B, C Assemblies



X5AW

X5A	Carrier Plate
X91	Carrier Grommet
X92	Carrier Grommet Bushing
N19W	Carrier Rail Assembly
N57	Carrier Rail Screw
N57-1	Washer

X12W

X12	Trigger
X163	Oiler
N126	Cotter Pin

X13W

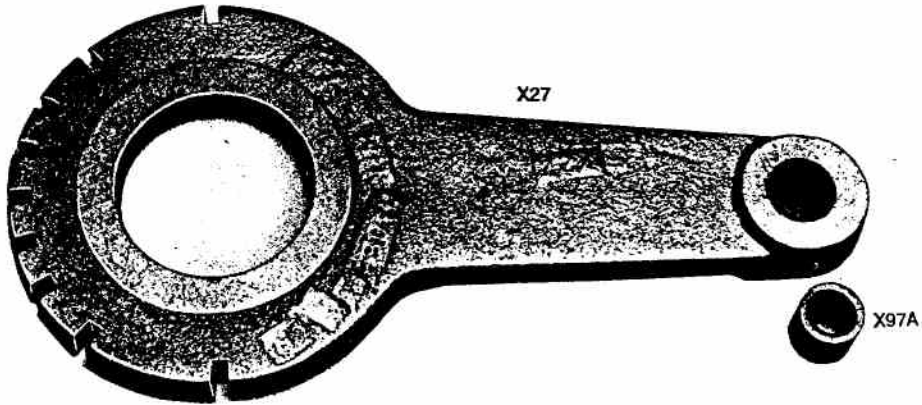
X13	Sear Bar Pin
X163	Oiler
N126	Cotter Pin

X16BW

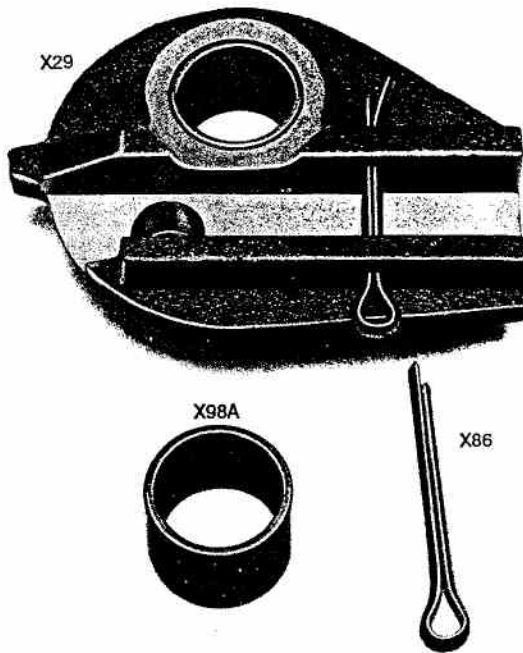
X16B	Sear
X17A	Sear Bar
X18AW	Sear Roller Assembly
X19A	Pins
X196A	Bushing

V1524A, B, C
Assemblies

X27W

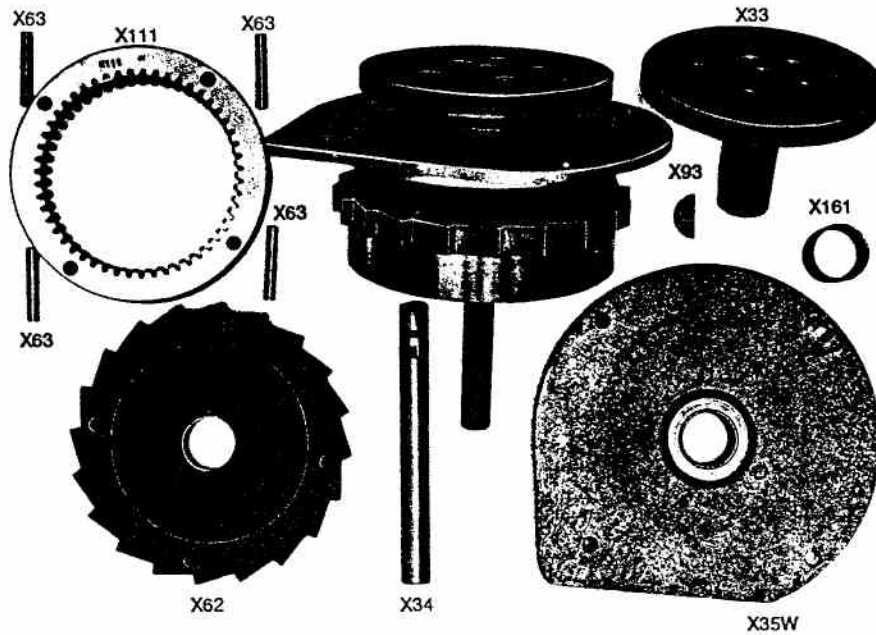


X29W



V1524A, B, C Assemblies

X33W



X27W

X27 Angle Change Link
X97A Bushing

X29W

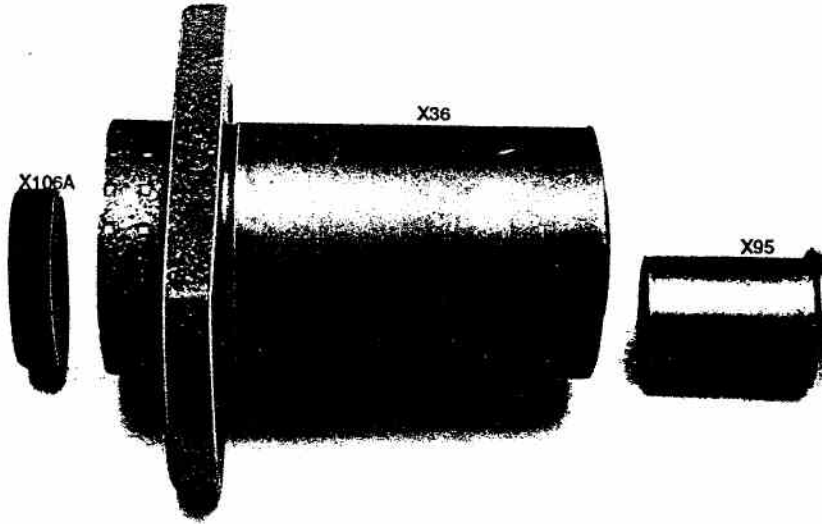
X29 Windage Adj Hub
X86 Cotter
X98A Hub Bearing

X33W

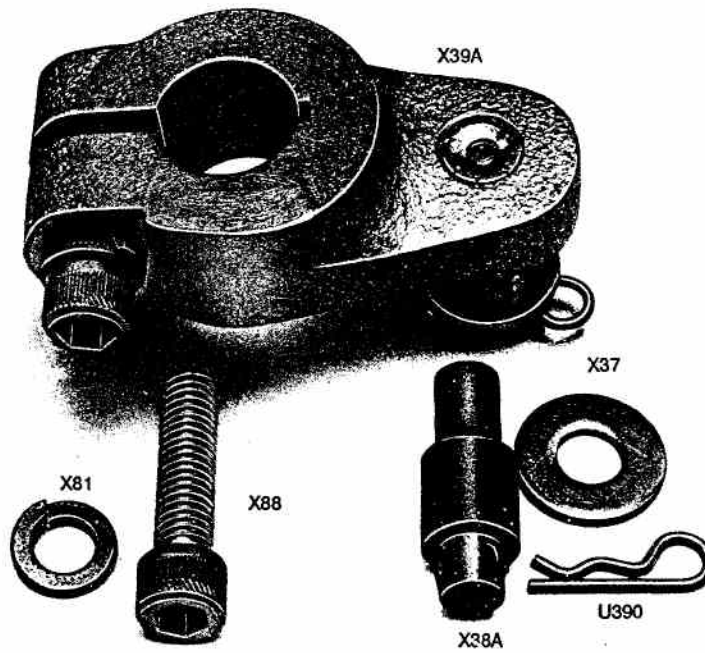
X33 Disc
X34 Shaft
X35W Gear Housing Cover Assembly
X62 Ring Gear Disc
X63 Rivets (set of 4)
X93 Woodruff Key
X111 Ring Gear
X161 Cover Bearing

V1524A, B, C Assemblies

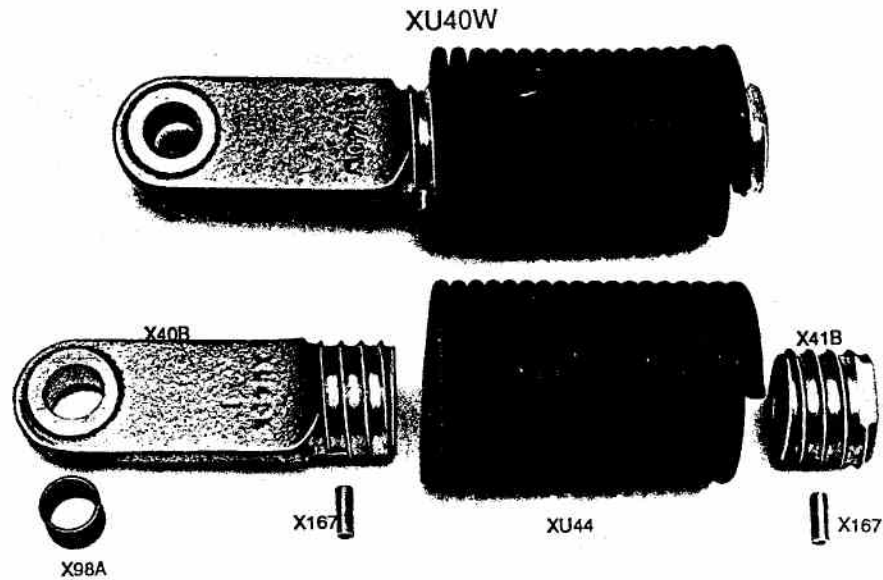
X36W



X39AW



V1524A, B, C Assemblies



X36W

X36 Gland
X95 Bushing
X106A Seal

X39AW

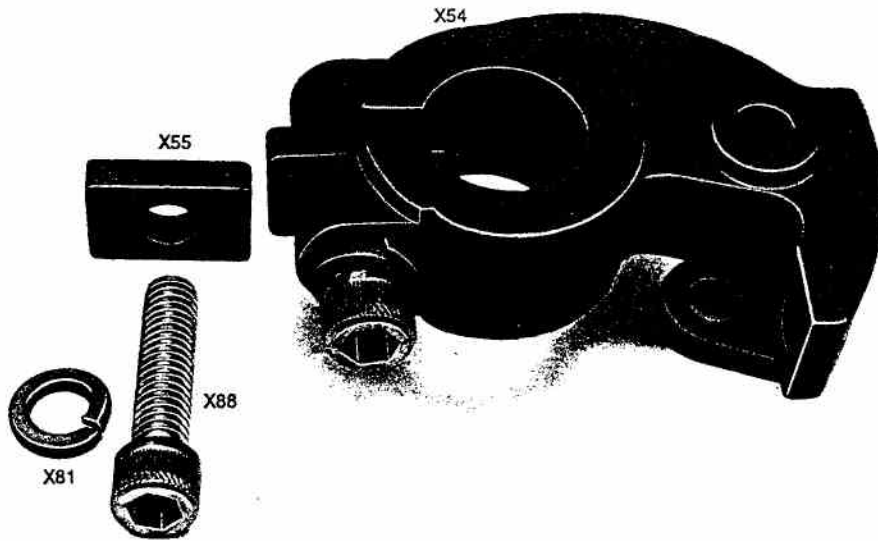
X37 Washer
X38A Mainspring Stud
X39A Mainspring Crank Assembly
X81 Washer
X88 Screw
U390 Hitch Pin

XU40W

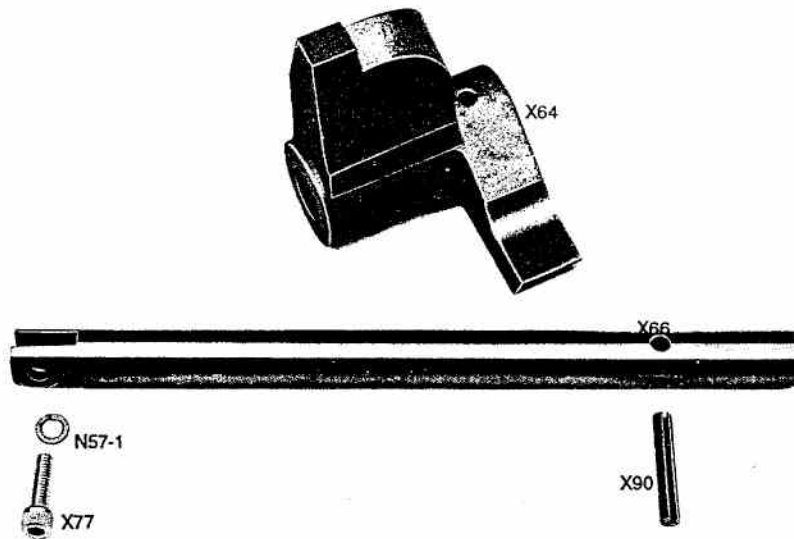
X40B Mainspring Crank
X41B Mainspring Plug
XU44 Mainspring Coil
X98A Hub Bearing
X167 Pins

V1524A, B, C Assemblies

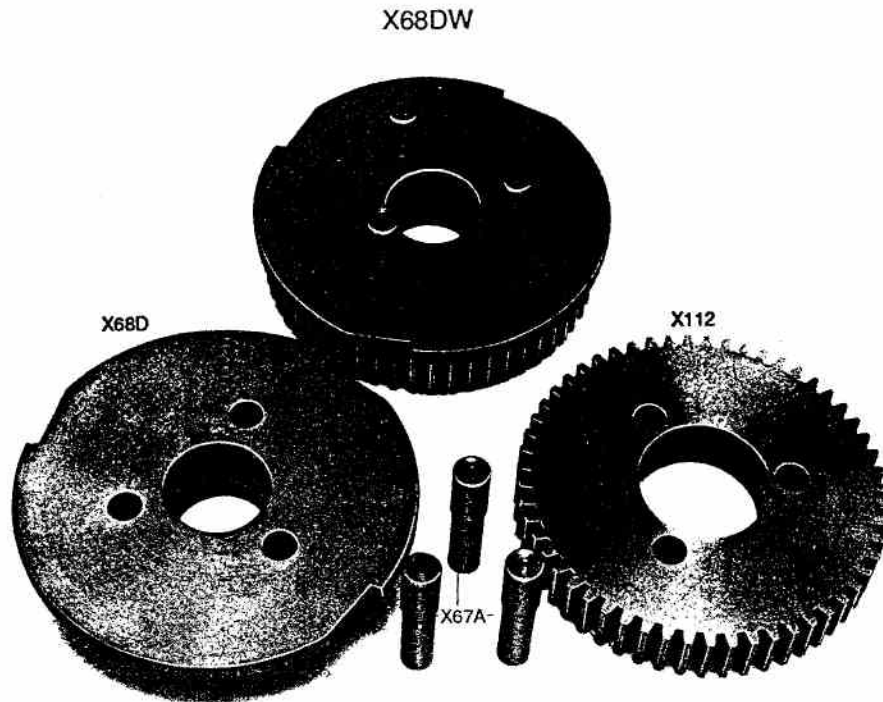
X54W



X64W



V1524A, B, C Assemblies



X54W

X54 Ratchet Arm
X55 Key
X81 Washer
X88 Screw

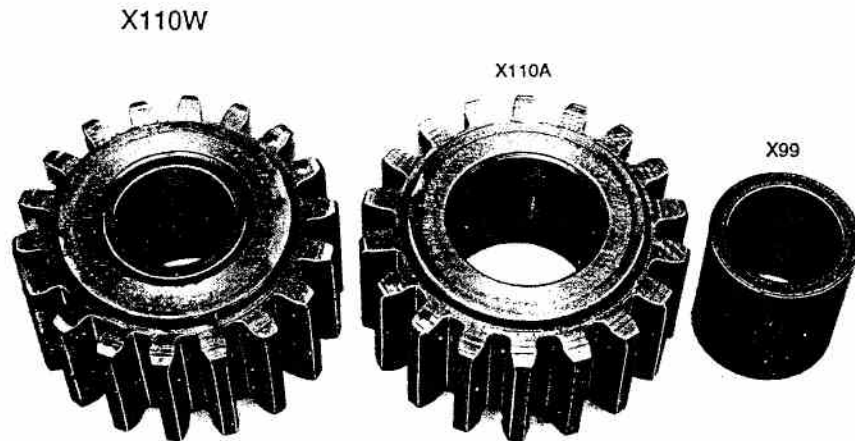
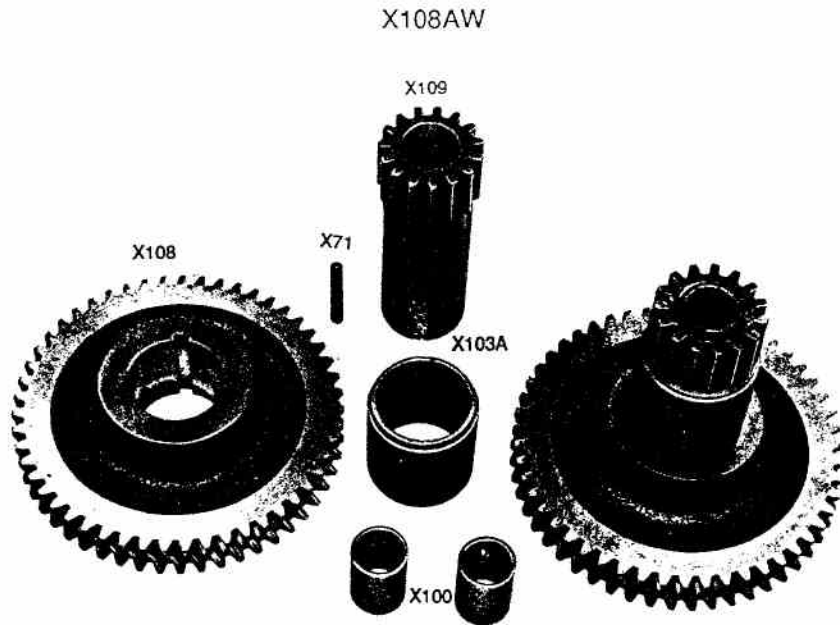
X64W

X64 Control Pawl
X66 Control Pawl Shaft
X77 Screw
X90 Roll Pin
N57-1 Washer

X68DW

X67A Planet Studs (set of 3)
X68D Driving Gear Disc
X112 Gear

V1524A, B, C
Assemblies

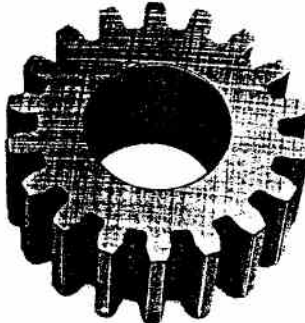


V1524A, B, C
Assemblies

X110AW



X110A



X153



X108AW

- X71 Key
- X100 Bushing
- X103A Bushing
- X108 Worm Gear
- X109 Sun Gear

X110W

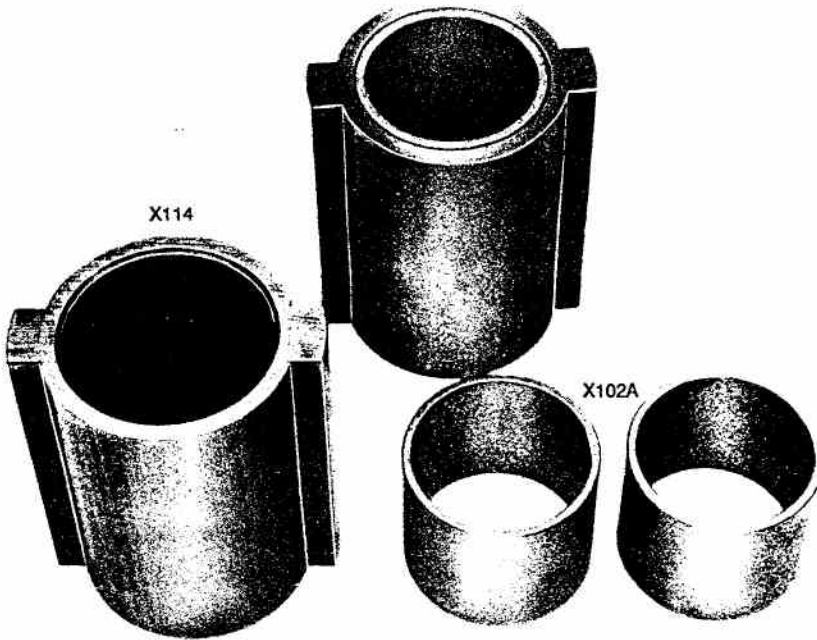
- X110A Planet Gear
- X99 Bushing

X110AW

- X110A Planet Gear
- X153 Inter. Planet Gear Assembly

V1524A, B, C Assemblies

X114W



X115CW

ELEVATION MOTOR

OFF ON

MASTER SWITCH

FIRE ON

OFF

WARNING: READ INSTRUCTIONS BELOW BEFORE USING! THIS MACHINE CAN CAUSE SERIOUS INJURY!

115 VOLTS 8 AMPS 60HZ

- DO NOT APPROACH COCKED TRAP FROM FRONT OR RIGHT (MOTOR) SIDE!
- READ INSTRUCTION MANUAL BEFORE ATTEMPTING TO OPERATE OR ADJUST TRAP.
- DO NOT LEAVE TRAP COCKED WHEN NOT IN USE.

UNCOCKING (FIRING) PROCEDURE

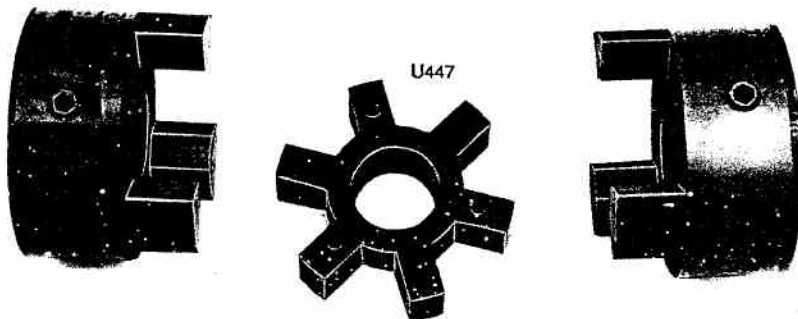
BEFORE PLACING MASTER SWITCH IN "OFF" POSITION, FIRE TRAP BY MOMENTARILY MOVING SWITCH TO "FIRE" POSITION. IN EVENT OF POWER FAILURE MOVE SWITCH TO "OFF" POSITION AND MANUALLY ROTATE CARRIER ARM CLOCKWISE APPROX. 30° TO POINT WHERE IT CONTINUES ROTATING TO FIRED POSITION BY ITSELF.

Olin WINCHESTER
DUMM CORPORATION
EAST ALTON, ILL. U.S.A.

X85 (screws)

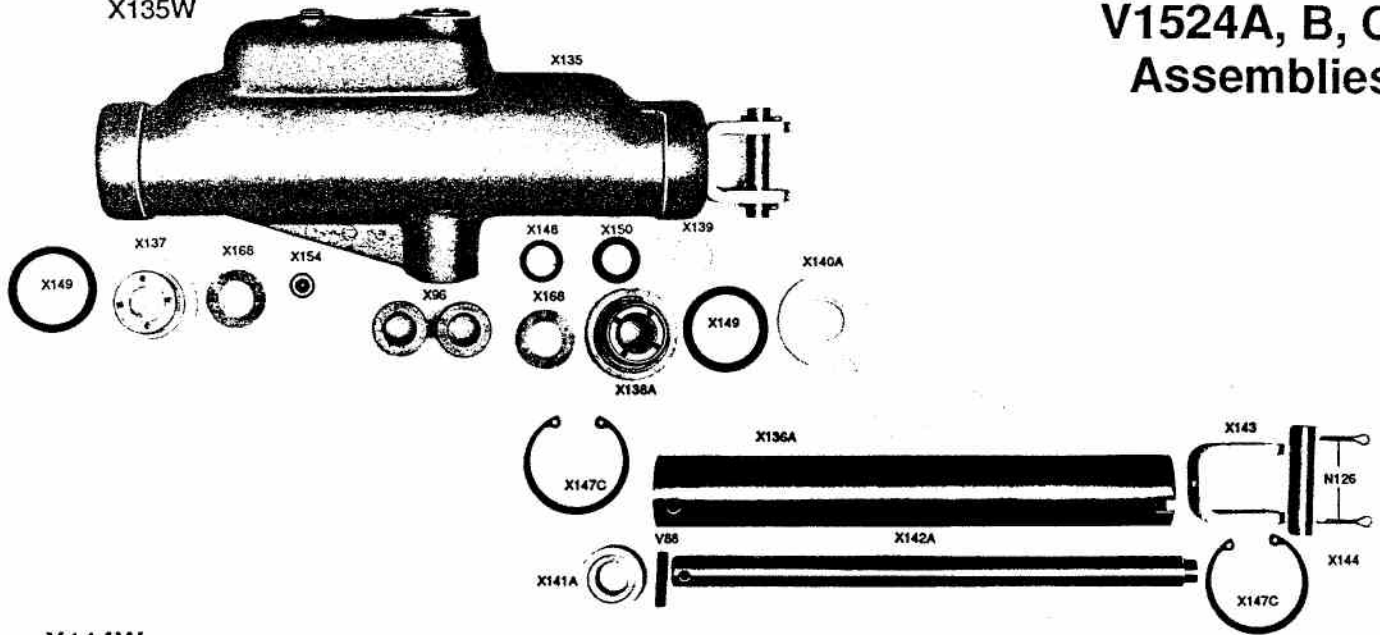
X164 (nuts)

X130B



X135W

V1524A, B, C Assemblies



X114W

X102A Bushing
 X114 Compound Bushing

X115CW

X85W Screw (set of 2)
 X164 Lockwasher

X130B

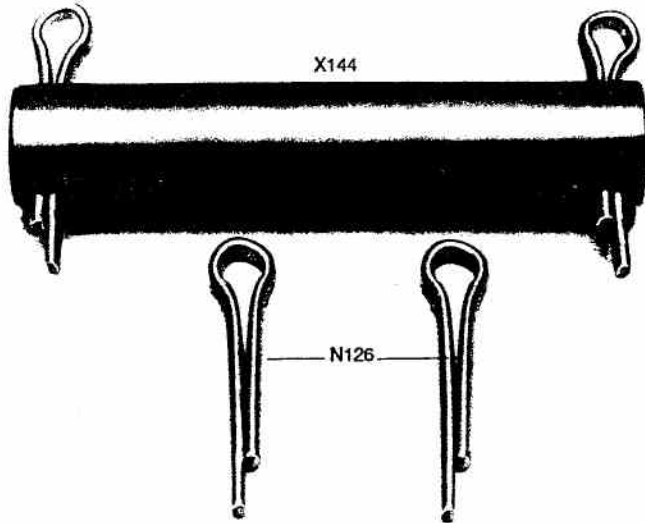
U447 Rubber Spider

X135W

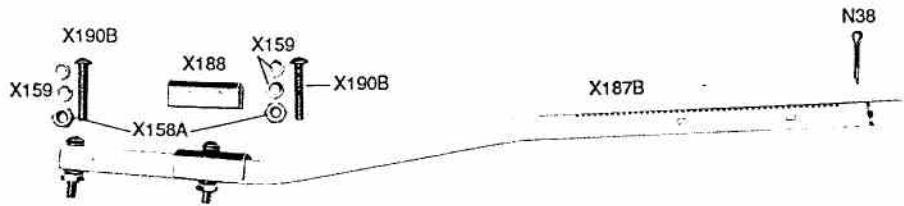
X96 Bearing
 X135 Housing
 X136A Cylinder
 X137 Cylinder Cap
 X138A Cylinder Gland
 X139A Back-up Washer
 X140A Retaining Washer
 X141A Piston
 X142A Piston Rod
 X143 Clevis
 X144W Clevis Pin
 X147C Retainer Ring
 X148 Seal
 X149 Seal
 X150 Scraper
 X154 Pipe Plug
 X168 Intake Valve Disc
 V88 Roll Pin
 N126 Cotter Pin

V1524A, B, C Assemblies

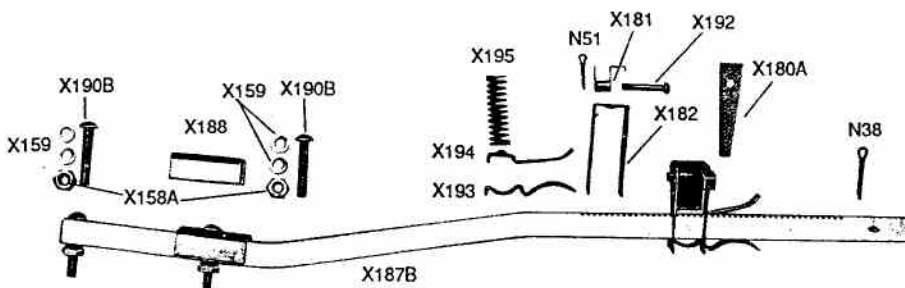
X144W



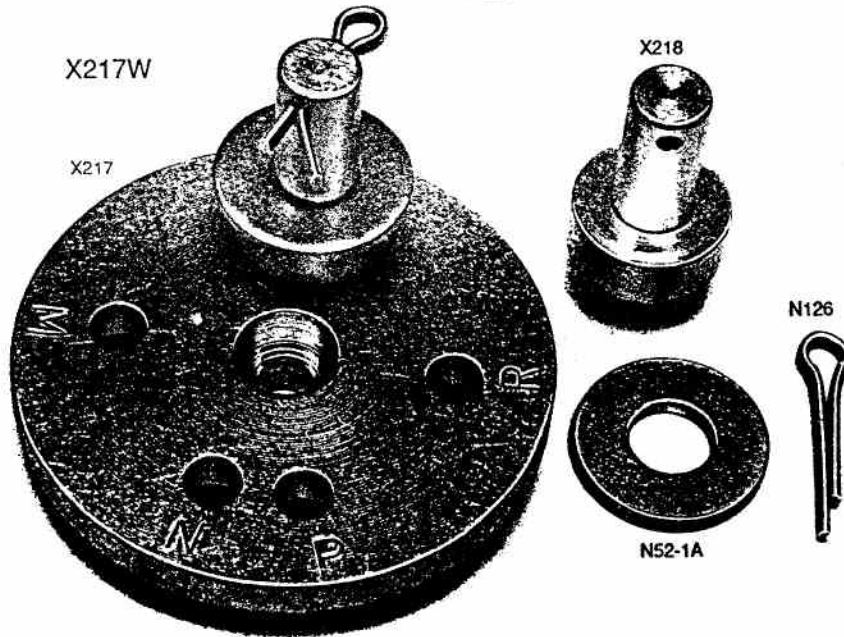
X187AW



X197W



V1524A, B, C Assemblies



X144W

X144 Clevis Pin
N126 Cotter Pin

X187AW

X158A Nut
X159 Lockwashers
X187B Stop Guide Bar
X188 Reinforcing Bar
X190B Screw
N38 Target Stop Retainer

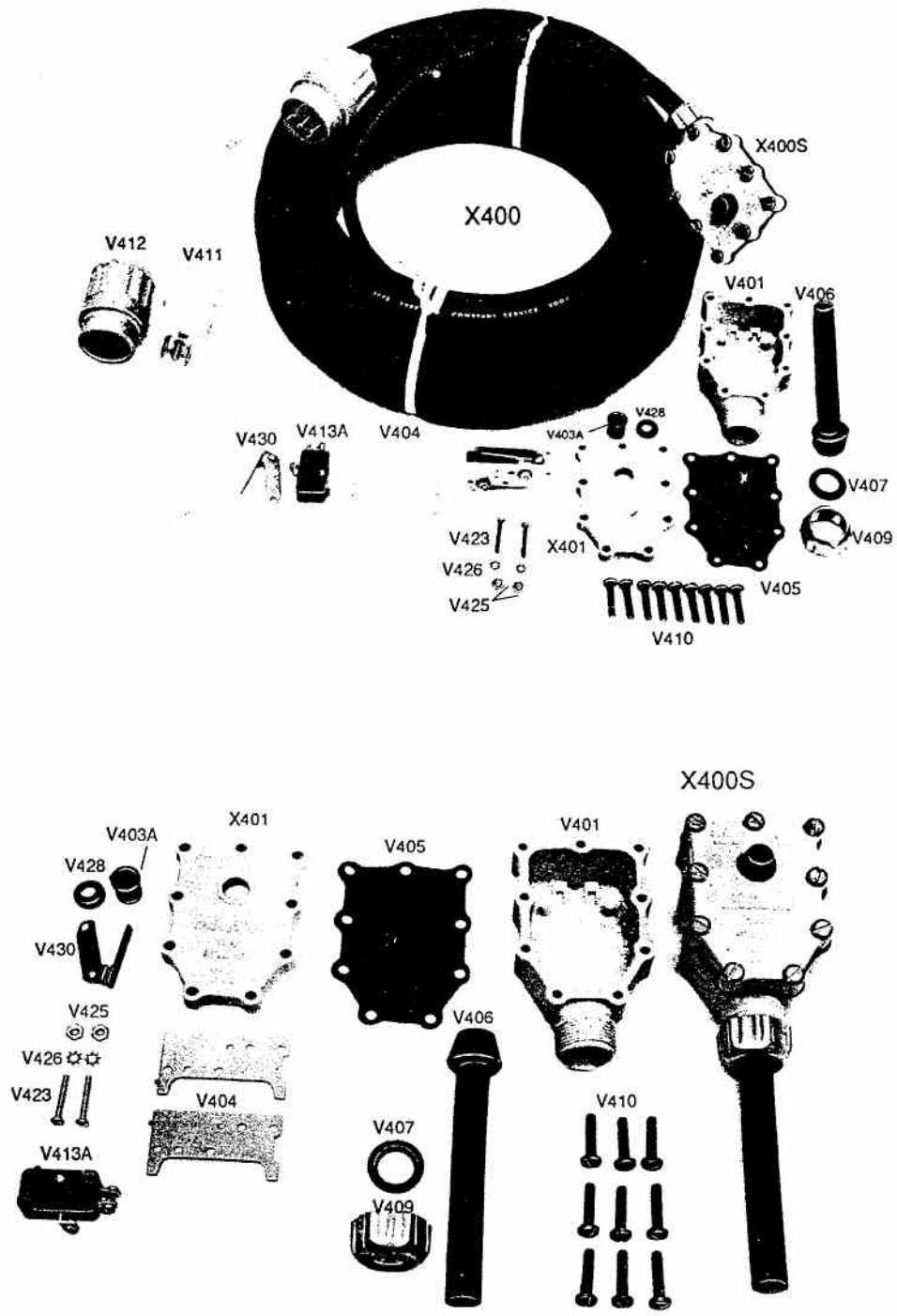
X217W

X217 Elevation Crank Disc
X218 Elevation Crank Pin
N52-1A Washer
N126 Cotter Pin

X197W

X158A Nut
X159 Lockwashers
X180A Finger
X181 Spring
X182 Target Stop Carrier
X187B Stop Guide Bar
X188 Reinforcing Bar
X190B Screw
X192 Target Stop Pivot
X193 Sliding Finger
X194 Locking Finger
X195 Locking Spring
N38 Target Stop Retainer
N51 Cotter Pin

V1524A, B, C Assemblies



V1524A, B, C
Assemblies

X400

X400S Trap Release Cord Switch
X401 Cover
V401 Housing
V403A Button
V404 Separator
V405 Diaphragm
V406 Strain Relief
V407 Packing Washer
V409 Gland
V410 Screw Cover
V411 Release Plug
V412 Release Boot
V413A Switch
V423 Round Head Screw
V425 Nut
V426 Lockwasher
V428 Button Seal
V430 Micro Actuator

X400S

X401 Cover
V401 Housing
V403A Button
V404 Separator
V405 Diaphragm
V406 Strain Relief
V407 Packing Washer
V409 Gland
V410 Screw Cover
V413A Switch
V423 Round Head Screw
V425 Nut
V426 Lockwasher
V428 Button Seal
V430 Micro Actuator